

ZONE 1 ZONE 21

PROTECTA III S/S

EX e STAINLESS STEEL LINEAR



The Protecta III is also available in a stainless steel body version. This incorporates the same design and monitoring features found in the GRP body Protecta. The increased durability of its stainless steel construction makes this luminaire ideal for applications where there is a high risk of mechanical damage or exposure to chemical agents.

Mounting Options

- Ceiling
- Wall
- Suspended
- Pole



Standard Specification

Protecta Stainless Steel Ex e Linear

Type of Protection	Ex e mb q (Increased Safety, Encapsulation, Powder filling)
ATEX Classification	Group II Category 2 GD
Area Classification	Zone 1 and Zone 21 areas to EN 60079-10-1 and EN 60079-10-2 with installation to EN 60079-14
Certificate	EC Type Examination Certificate Baseefa04ATEX0220 IECEX Certificate of Conformity IECEX BAS09.0017
Coding	Ex e mb q IIC T4 Gb Ex tb IIIC T85°C Db IP66/67
Enclosure	Marine grade 316L stainless steel body with clear polycarbonate cover
Geartray	White polyester painted zinc coated steel
Entry	4 x M20 cable entries - 2 at each end
Termination	3 core 4mm ² max conductor with looping and 16A through wiring. (4 core on Emergency)
Installation	2x M8 tapped stainless steel inserts located on rear of body
Control Gear	High Frequency
Maintenance	Quick release diffuser clamps and hinged cover
Battery	Internal Ni-Cd (6V) (Emergency version only)
Emergency Duration	90 mins (18W = 50% of one lamp, 36W = 25% of one lamp)
Ingress Protection	IP66 to EN 60529
Surge Protection	6kV
Electrical Supply	220-254V AC, 50/60Hz 220-300V DC (Non Emergency version only)

Features

- ◆ Battery **management, monitoring** and automatic **self test**
- ◆ **Resistance** to voltage fluctuations
- ◆ **Automatic de-energisation** on openings
- ◆ **DC operation** (Non Emergency version only)
- ◆ Ability to **detect and indicate** impending end of emergency lamp life before actual failure



LIGHTING SOLUTIONS

For Harsh & Hazardous Locations



www.chalmit.com



Product design and specifications are subject to change without notice. Please check the Chalmite website for latest specifications. www.chalmite.com



MADE IN BRITAIN

Std. Cat No.	Lamp	Lamp Type	Lamp Holder	LOR %	TClass	T°C (Dust)	Ambient °C	Weight
PRSE/218/BI	2x18W	T8 fluorescent	G13	75	T4	85	-25 to +55	6.0kg
PRSE/236/BI	2x36W	T8 fluorescent	G13	75	T4	85	-25 to +55	9.6kg
PRSE/218/BI/EM	2x18W	T8 fluorescent	G13	75	T4	85	-25 to +45	9.1kg
PRSE/236/BI/EM	2x36W	T8 fluorescent	G13	75	T4	85	-25 to +45	12.5kg

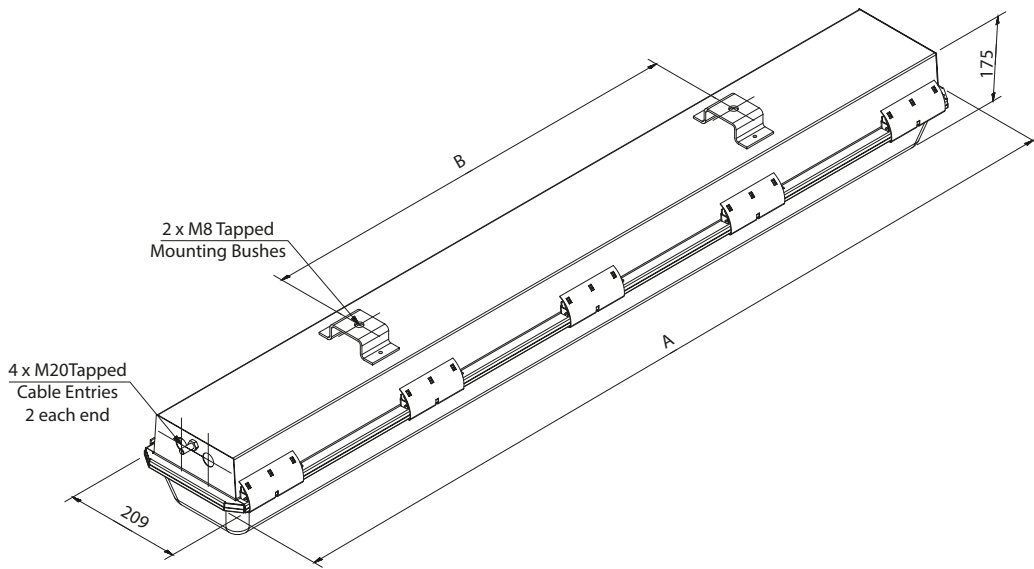
Options - Suffix to Catalogue No.

/M25	M25 cable entries	/LBE	Looping both sides
/EL	Extra live termination facility (compatible with 4 core switched emergency circuits)	/SC	Screwed connection terminal block (up to 6mm ² conductors)
/HEO	High emergency output - 45% of one lamp (36W only)	/3P	3 phase termination facility (not available if looping required)
/120	Specific voltage (110-130V)	/3H	3 hour battery duration*

* 18W = 30% of one lamp, 36W = 25% of one lamp

Accessories *Accessories should be ordered separately*

	Order Code
Pole mounting bracket assembly (38-42 diameter poles)	SPOL4-100001
Pole mounting bracket assembly (48-52 diameter poles)	SPOL4-100002
Pole mounting bracket assembly (58-62 diameter poles)	SPOL4-100003
Hook type ceiling bracket assembly	SPRO4-0005
Flush mounted wall bracket assembly	SPRO4-0006
Ceiling bracket assembly	SPRO4-0002
Standard 18W wall mounting outreach bracket (use with SPOL4-100001)	NPRO4-0008
Standard 36W wall mounting outreach bracket (use with SPOL4-100001)	NPRO4-0012
Eyebolt mounting assembly	SPRO5-0005
Remote Ex switch for emergency inhibition (1 switch controls up to 10 luminaires)	Contact internal sales



DIM	18W	36W
DIM A	742	1352
DIM B	400	700

Chalmite PO BOX 5575 Glasgow G52 9AP
 Tel: +44(0) 141 882 5555 Fax: +44(0) 141 883 3704 Email: info@chalmite.com
www.chalmite.com



LIGHTING SOLUTIONS

For Harsh & Hazardous Locations



Harsh & Hazardous